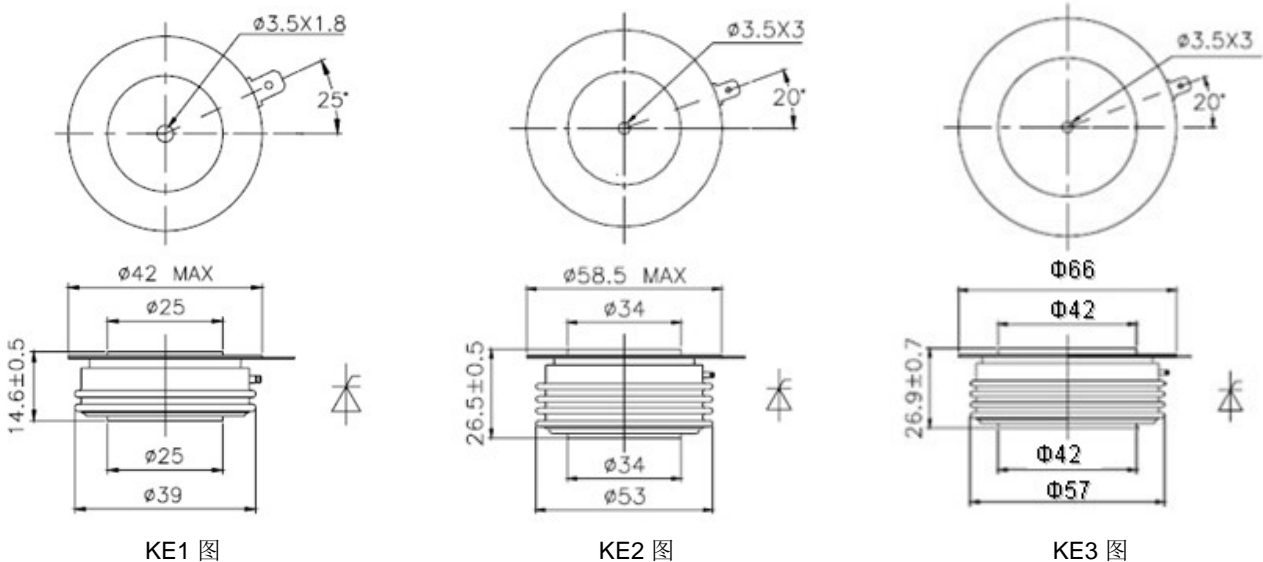
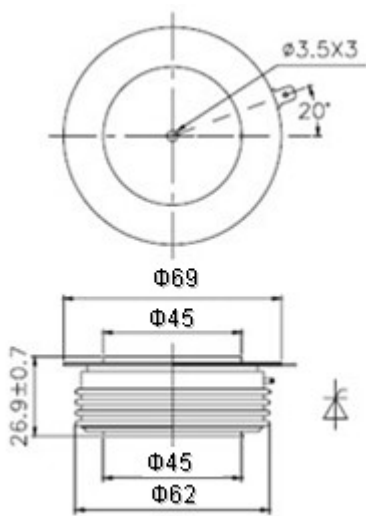


▼产品描述 Product Description:

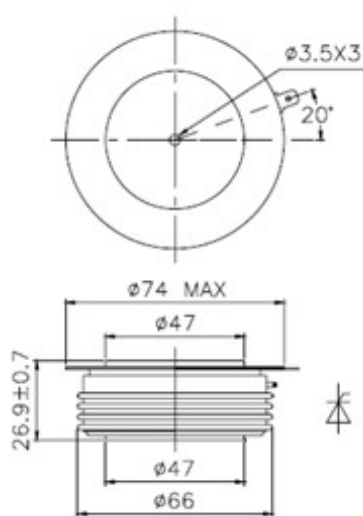
型号 TYPE xx=V _{DRM} /100	I _{RSM} @T _C =70°C	V _{DRM} V _{RRM}	I _T /f	T _q @100°C	I _{TSM} @T _{VJM} &10ms	V _{GT}	I _{GT}	T _{VJM}	F ±10%	外形
	A	V	A/Hz	μs	kA	V	mA	°C	kN	Fig
KE200-xx	200A	500-1100V	200/10	8-10	2.4	0.8-2.5	20-250	115	5-10	KE1
KE200-xx	200A	1200-1400V	200/6	10-14	2.4	0.8-2.5	20-250	115	5-10	KE1
KE500-xx	500A	500-1400V	500/6	10-14	3.6	0.8-3	20-400	115	10-20	KE2
KE500-xx	500A	500-1400V	500/6	10-14	6	0.8-3	20-400	115	10-20	KE3
KE600-xx	600A	500-1000V	500/6	8-10	6	0.8-3	20-400	115	10-20	KE2
KE600-xx	600A	500-1100V	400/10	6-8	4.8	0.8-3	20-400	115	10-20	KE2
KE600-xx	600A	500-1000V	400/10	8-10	7.2	0.8-3	20-400	115	10-20	KE3
KE600-xx	600A	1200-1400V	600/6	12-16	7.2	0.8-3	20-400	115	10-20	KE4
KE800-xx	800A	500-1000V	500/10	8-15	9.6	0.8-3	20-400	115	20-26	KE4
KE800-xx	800A	1200-1400V	800/8	12-16	9.6	0.8-3	20-400	115	20-26	KE4
KE1000-xx	1000A	500-1100V	600/8	8-15	12	0.8-3	20-400	115	20-30	KE5
KE1000-xx	1000A	1200-1400V	1000/6	12-16	12	0.8-3	20-400	115	20-30	KE6
KE1200-xx	1200A	500-1100V	800/8	8-15	14	0.8-3	20-400	115	20-30	KE6

▼外形尺寸 Dimensions

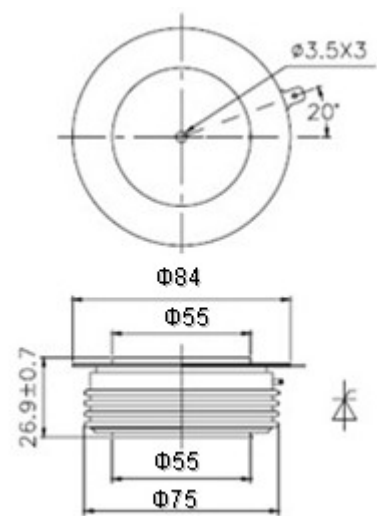




KE4 图



KE5 图



KE6 图

